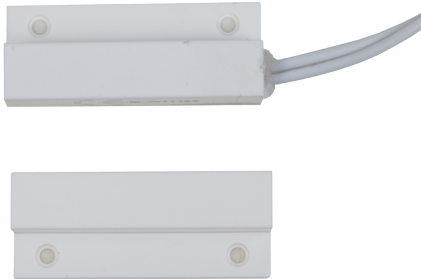


FM-102

SURFACE MOUNT CONTACTS

1.32"L x .53"W x .3"H Side Lead Surface Mount Type



Contact Size: 1.32"L x .53"W x .3"H

(33.6mm x 13.5mm x 7.5mm)

Standard Magnet Size: 1.32"L x .53"W x .3"H

(33.6mm x 13.5mm x 7.5mm)

Standard Gap: .83"(21mm)

Colors: White, Brown, Gray, Tan, Black

12"(305mm) 22 AWG Leads Standard

Longer leads available.

Specifications

Part Number	Gap Inch(mm)	Loop Open/Closed	Reed Form	Max. Contact Rating (W)	Max. Initial Contact Resistance (mΩ)	Max. Switching Voltage (V)	Max. Switching Current (A)
FM-102	.83"(21)	CLOSED	Normally Open	10	100	AC110/DC100	0.5
FM-103	.67"(17)	OPEN	Normally Closed	3	100	AC30/DC30	0.2
* FM-104	.67"(17)	SPDT	SPDT	3	100	AC30/DC30	0.2

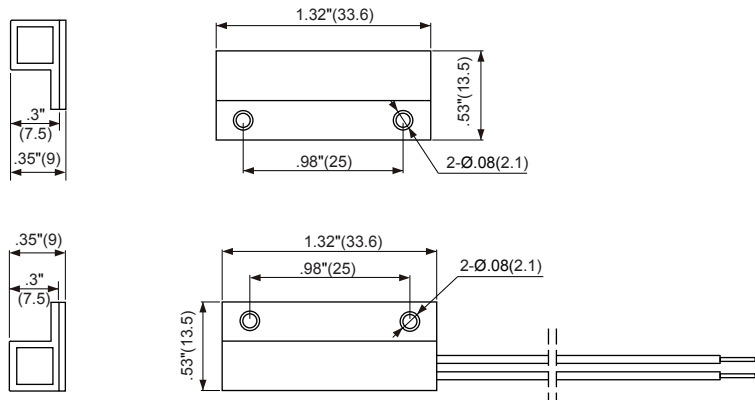
OPERATING TEMPERATURE: -40°C to +60°C

*Not UL Listed

Outline Dimensions

Unit: inch(mm)

FM-102/FM-103



The Best Industry Guarantee Since 1984®
TANE ALARM PRODUCTS

906 JERICHO TURNPIKE, NEW HYDE PARK, NY 11040

Tel: 800-852-5050 • 516-328-3351 • Fax: 516-326-9125

www.tanealarm.com • E-MAIL: info@tanealarm.com

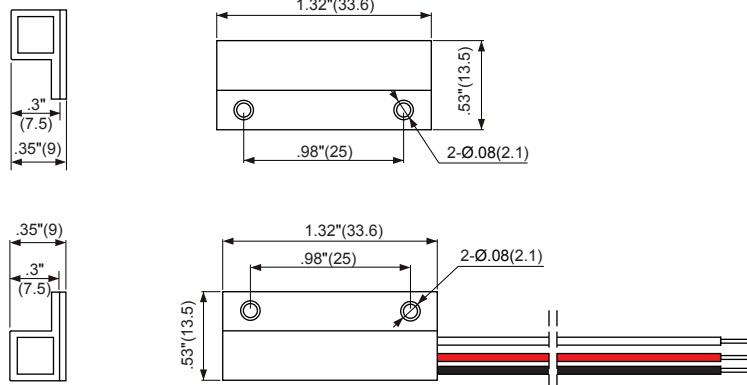
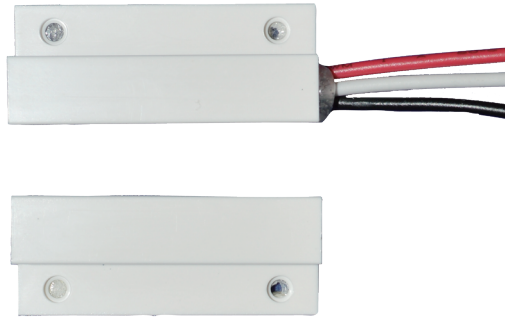
FM-102

SURFACE MOUNT CONTACTS

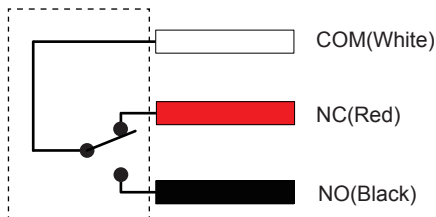
Outline Dimensions

Unit: inch(mm)

FM-104



FM-104 Wiring Diagram



The Best Industry Guarantee Since 1984®
TANE ALARM PRODUCTS

906 JERICHO TURNPIKE, NEW HYDE PARK, NY 11040
Tel: 800-852-5050 • 516-328-3351 • Fax: 516-326-9125
www.tanealarm.com • E-MAIL: info@tanealarm.com